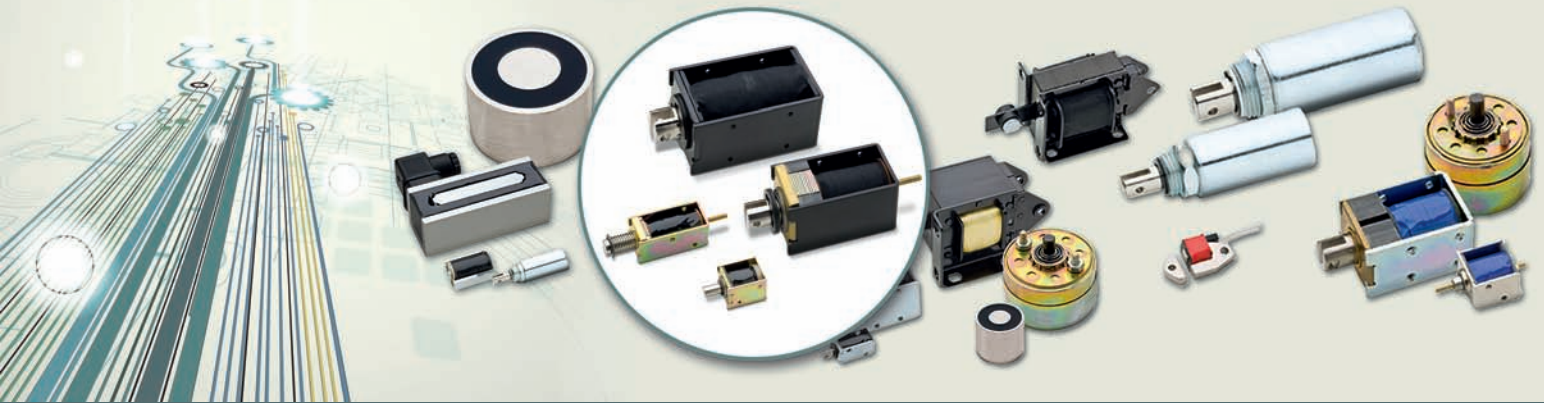


Linear Solenoids

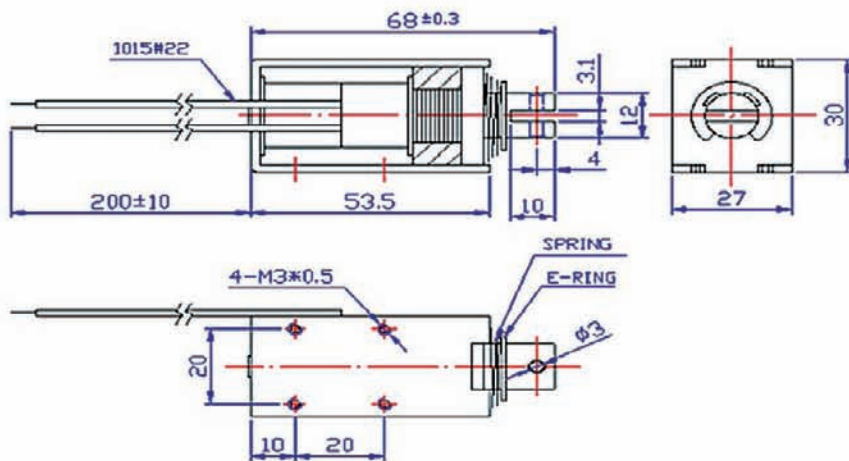
Frame Solenoids – Bistable



Small Frame / Both sides are fixed / For Over-Current

STSX-1510

Type



Description

Bistable linear solenoid, based on frame mode construction.

Two permanent magnets keep solenoid activated even without power supply.

Mainly used for locking devices without constant power supply.

Coil Data

Stroke: 15 mm

Watt: 10

retracted (without current): 12 N

extended (without current): 2 N

Solenoid Model

Current:

12 VDC (standard)

24 VDC (standard)

Please ask for other options.

Special Development On Request

Please contact us for your custom designed part (frame, force, special application, etc.)



SHENG TENG GmbH

VAT-ID: DE 271 696 661

General Manager:

Silvio Bruske / Frank Loeffler

District Court Munich reg. # HRB185777

Angerbrunnenstraße 11

D-85356 Freising

GERMANY

Phone: +49-8161-986 44 84

Fax: +49-8161-986 44 74

eMail: office@shengteng.de

www.shengteng.de