

# Linear Solenoids

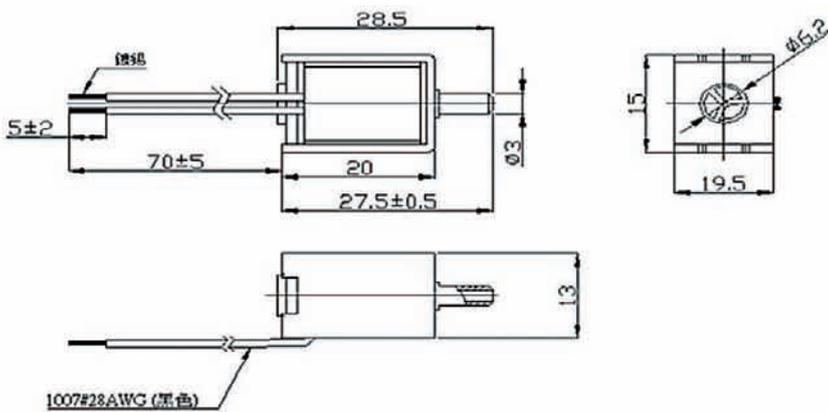
## Magnet Valve



Small / Cheap / Stable

STSV-300b

### Type



### Description

Use Fluid: Air  
Insulation Class: A

### Coil Data

Air Leakage: 5.0 sec. max. from  
300 mmHg to 15 mmHg  
Pressure: max. 300 mmHg / ca. 0,39 BAR

### Solenoid Model

Current: 3 VDC to 12 VDC

### Special Development On Request

Please contact us for your custom  
designed part (frame, force, special  
application, etc.)



**SHENG TENG GmbH**  
VAT-ID: DE 271 696 661  
General Manager:  
Silvio Bruske / Frank Loeffler  
District Court Munich reg. # HRB185777

Angerbrunnenstraße 11  
D-85356 Freising  
GERMANY

Phone: +49-8161-986 44 84  
Fax: +49-8161-986 44 74  
eMail: office@shengteng.de

[www.shengteng.de](http://www.shengteng.de)