

Linear Solenoids

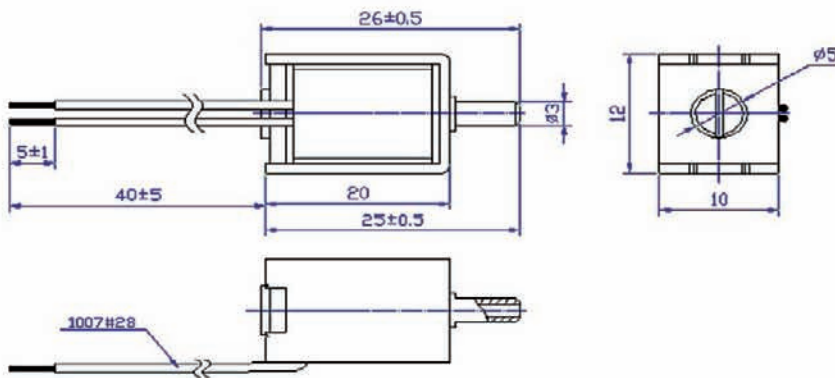
Magnet Valve



Small / Cheap / Stable

STSV-300a

Type



Description

Use Fluid: Air
Insulation Class: A

Coil Data

Air Leakage: 2.5 sec. max. from
300 mmHg to 15 mmHg
Pressure: max. 300 mmHg / ca. 0,39 BAR

Solenoid Model

Current: 3 VDC to 12 VDC

Special Development On Request

Please contact us for your custom
designed part (frame, force, special
application, etc.)



SHENG TENG GmbH
VAT-ID: DE 271 696 661
General Manager:
Silvio Bruske / Frank Loeffler
District Court Munich reg. # HRB185777

Angerbrunnenstraße 11
D-85356 Freising
GERMANY

Phone: +49-8161-986 44 84
Fax: +49-8161-986 44 74
eMail: office@shengteng.de

www.shengteng.de