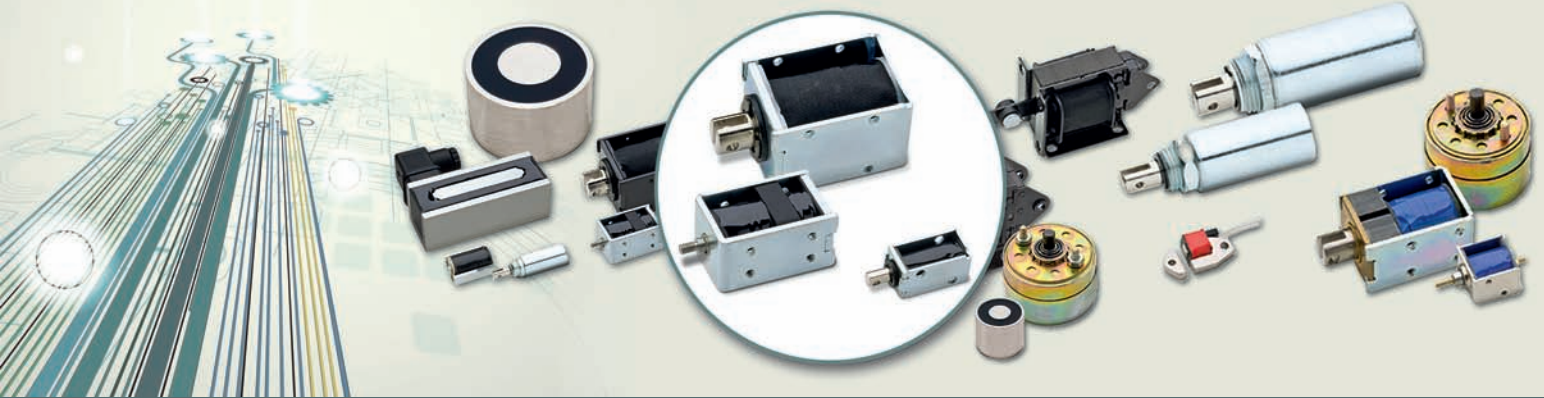


Linear Solenoids

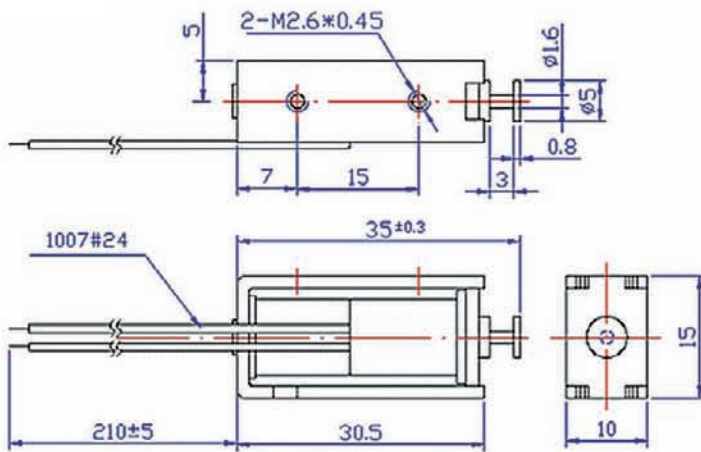
Frame Solenoids – Standard



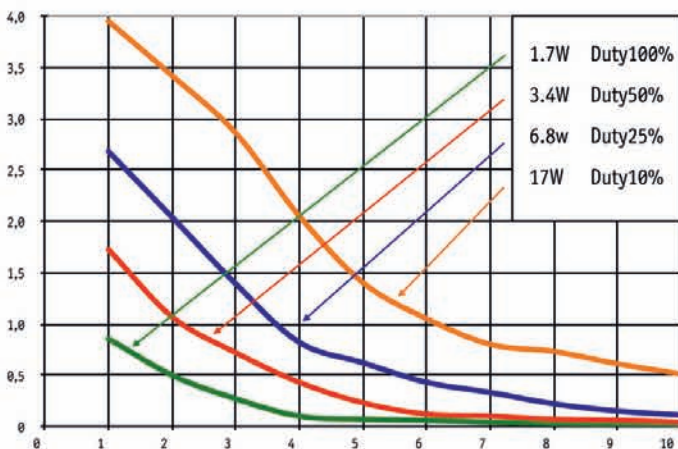
Small Frame / Adequate for Overload / Solid

STSS-3618

Type



Force-stroke-diagram (N/mm)



Description

Cheap and light-weight based on frame mode construction. Including damping ring and dumper inside the case. Open framed solenoid with closed brace.

Extreme small but with overload passably stroke at the 2-3 mm.

Stroke 3-6 mm

Weight: 18 g

Coil Data

Relative Duty Cycle (%)	100	50	25	10
Max. Performance (Watt)	1,7	3,4	6,8	17
Max. Duty Cycle (sec.)	∞	50	18	2

Solenoid Model

Version:

Pull magnet

Pressure Solenoid with spring return

Current:

12 VDC (standard)

24 VDC (standard)

Please ask for other options.

Special Development On Request

Please contact us for your custom designed part (frame, force, special application, etc.)



SHENG TENG GmbH

VAT-ID: DE 271 696 661

General Manager:

Silvio Bruske / Frank Loeffler

District Court Munich reg. # HRB185777

Angerbrunnenstraße 11

D-85356 Freising

GERMANY

Phone: +49-8161-986 44 84

Fax: +49-8161-986 44 74

eMail: office@shengteng.de

www.shengteng.de