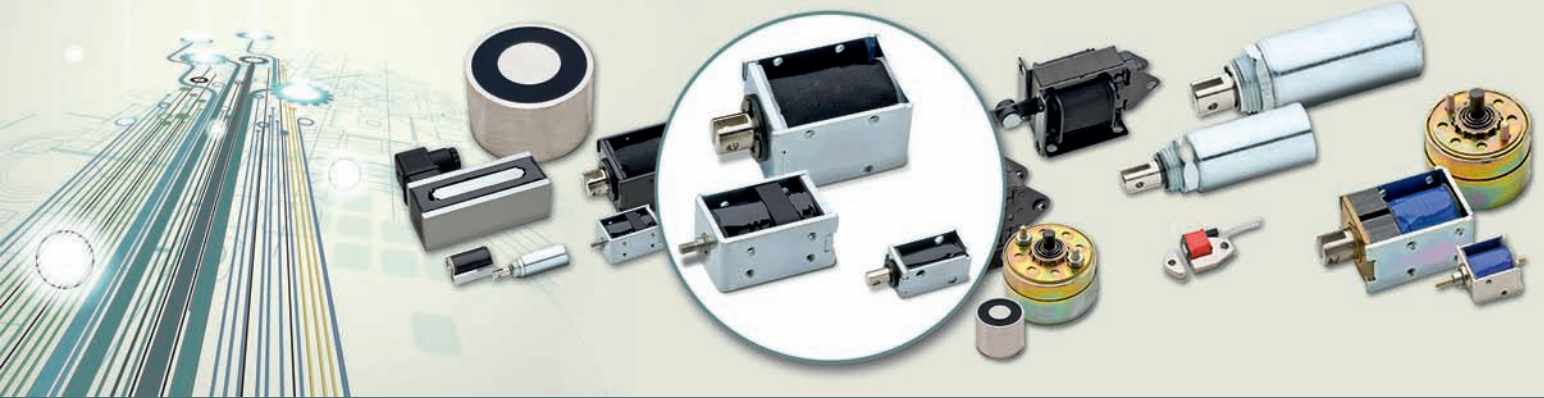


Linear Solenoids

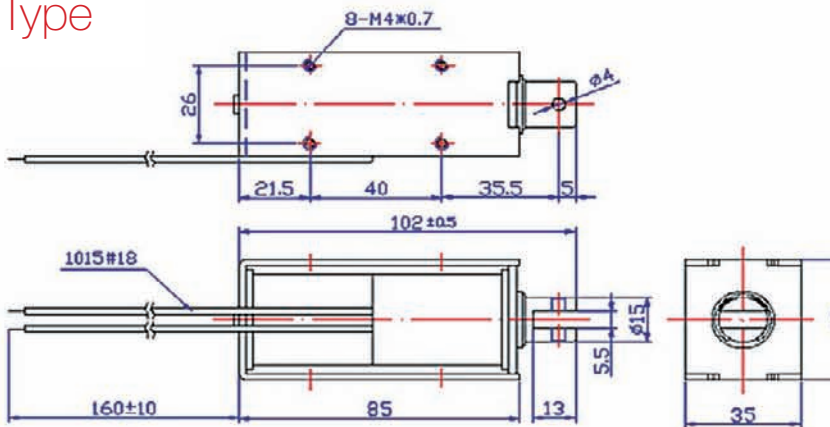
Frame Solenoids – Standard



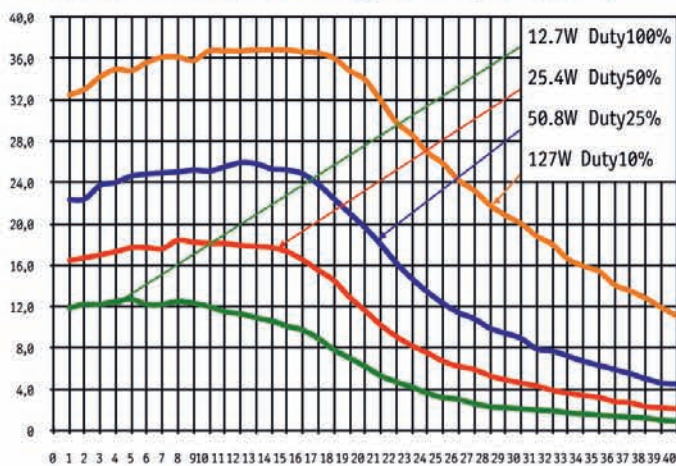
Large Frame / Adequate for Overload / Extreme Solid

STSS-2540530

Type



Force-stroke-diagram (N/mm)



Description

Cheap and light-weight based on frame mode construction. Including damping ring and dumper inside the case. Open framed solenoid with closed brace.

Small but with overload passably stroke at the 25-40 mm.

Weight: 530 g

Very high force at the end of the stroke.

Coil Data

Relative Duty Cycle (%)	100	50	25	10
Max. Performance (Watt)	12,7	25,4	50,8	127
Max. Duty Cycle (sec.)	∞	160	80	32

Solenoid Model

Version:

Pull magnet

Pressure Solenoid with spring return

Current:

12 VDC (standard)

24 VDC (standard)

Please ask for other options.

Special Development On Request

Please contact us for your custom designed part (frame, force, special application, etc.)



SHENG TENG GmbH
 VAT-ID: DE 271 696 661
 General Manager:
 Silvio Bruske / Frank Loeffler
 District Court Munich reg. # HRB185777

Angerbrunnenstraße 11
 D-85356 Freising
 GERMANY

Phone: +49-8161-986 44 84
 Fax: +49-8161-986 44 74
 eMail: office@shengteng.de

www.shengteng.de