

# Electromagnets

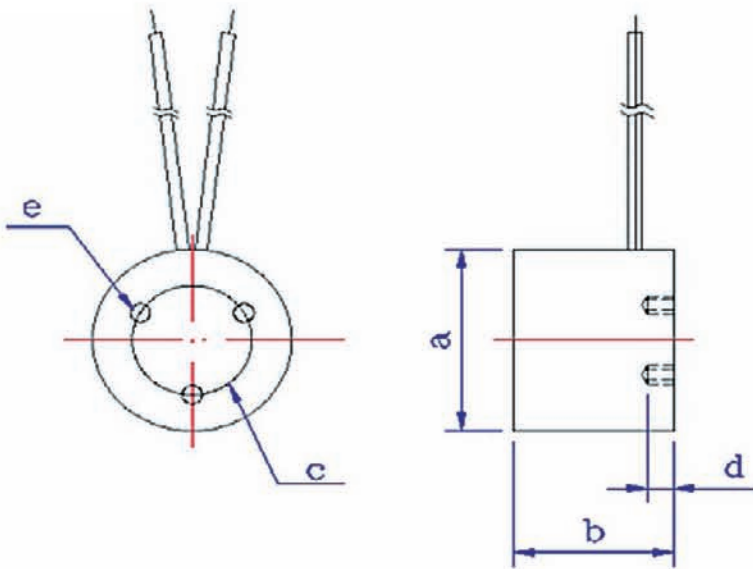
## Electromagnets



Sealed / Rugged / Strong

STSM-5060

### Type



### Description

Weight: 50 g  
Power: 4,0 Watt  
Holdingforce: 60 N  
Mounting plates (minimum): 2,5 mm

### Dimension

a	b	c	d	e
25	20	18,5	3	M3

### Solenoid Model

Current:  
12 VDC (standard)  
24 VDC (standard)

### Special Development On Request

Please contact us for your custom designed part (frame, force, special application, etc.)



**SHENG TENG GmbH**  
VAT-ID: DE 271 696 661  
General Manager:  
Silvio Bruske / Frank Loeffler  
District Court Munich reg. # HRB185777

Angerbrunnenstraße 11  
D-85356 Freising  
GERMANY

Phone: +49-8161-986 44 84  
Fax: +49-8161-986 44 74  
eMail: office@shengteng.de

[www.shengteng.de](http://www.shengteng.de)