

Electromagnets

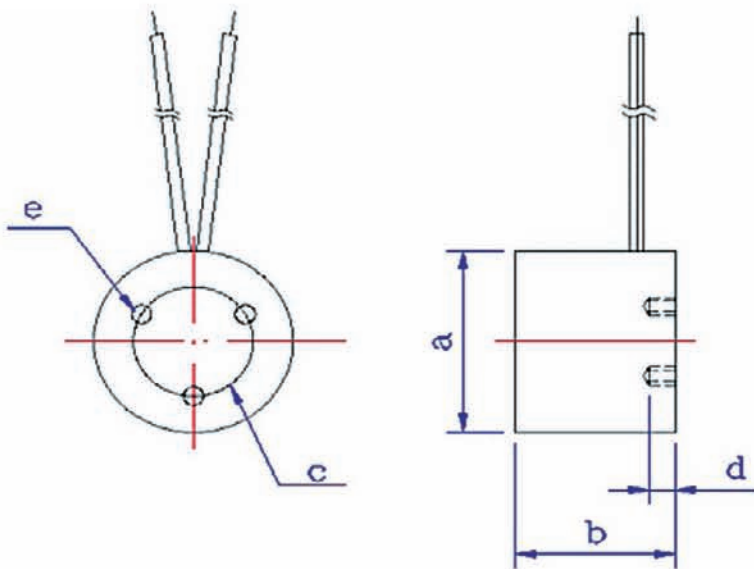
Electromagnets



Sealed / Rugged / Strong

STSM-230200

Type



Description

Weight: 230 g
Power: 6,0 Watt
Holdingforce: 200 N
Mounting plates (minimum): 4,5 mm

Dimension

a	b	c	d	e
40	27	26	6	M3/M5

Solenoid Model

Current:
12 VDC (standard)
24 VDC (standard)

Special Development On Request

Please contact us for your custom designed part (frame, force, special application, etc.)



SHENG TENG GmbH
VAT-ID: DE 271 696 661
General Manager:
Silvio Bruske / Frank Loeffler
District Court Munich reg. # HRB185777

Angerbrunnenstraße 11
D-85356 Freising
GERMANY

Phone: +49-8161-986 44 84
Fax: +49-8161-986 44 74
eMail: office@shengteng.de

www.shengteng.de