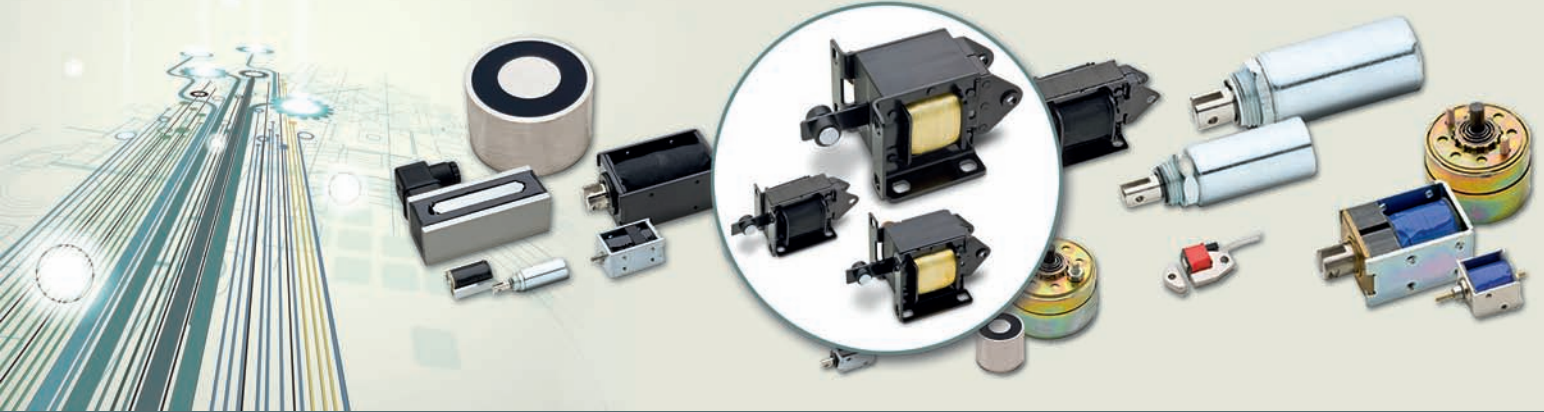


Linear Solenoids

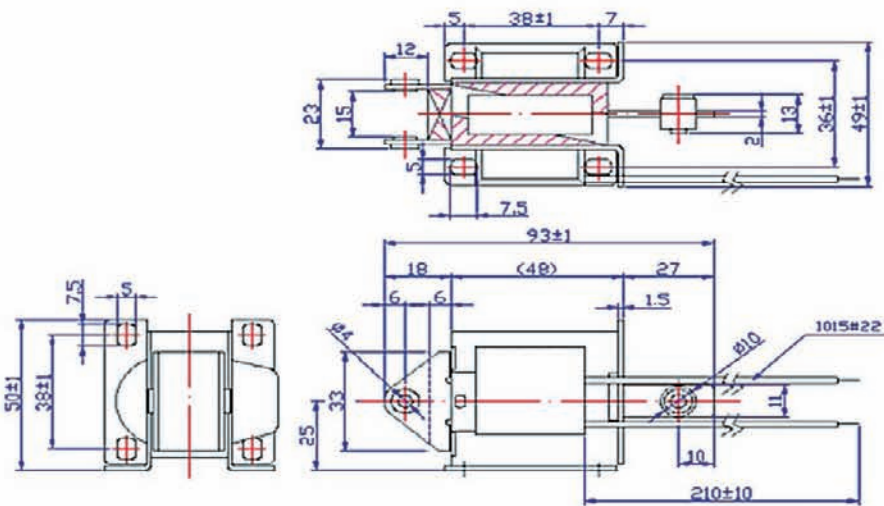
Lamellar Solenoids



Pull and Push Version / Very Strong / Extremely Solid

STSL-15a

Type



Description

Heavy duty AC laminated solenoid for active current supply.
No rectifier necessary.
Available forces from 5-60N.

Coil Data

Frequency range: 50-60 HZ
Nominal force (N): 10
Nominal stroke (mm): 15
Length x width x height (mm): 93 x 49 x 50

Nominal current (VAC)	Inrush current (A)	Holding current (A)
110	2,60	0,38
220	1,30	0,20

Special Development On Request

Please contact us for your custom designed part (frame, force, special application, etc.)



SHENG TENG GmbH
VAT-ID: DE 271 696 661
General Manager:
Silvio Bruske / Frank Loeffler
District Court Munich reg. # HRB185777

Angerbrunnenstraße 11
D-85356 Freising
GERMANY

Phone: +49-8161-986 44 84
Fax: +49-8161-986 44 74
eMail: office@shengteng.de

www.shengteng.de